

Parts Catalogue

for model
NTL 534 W - 534 WQ

- Use GLOBAL GARDEN PRODUCT Genuine Spare Parts specified in the parts list for repair and/or replacement.
- The contents described in the parts list may change due to improvement.
- The drawings of the spare parts are only indicative and might not represent the part in question exactly.
- The indications "right" - "left" - "front" - "rear" refer to the position of the operator when using the machine.
- When placing orders of parts for repair and/or replacement, make sure that the illustrated parts list is the one applying to the machine's year of manufacture, as shown on the identification plate attached to the machine.

© Copyright 2015 Global Garden Products

All content is subject to copyright by Global Garden Products and may not be reproduced in whole or in part by any means, electronic or otherwise, without prior written approval.

THIS INFORMATION IS NOT INTENDED FOR SALE OR RESALE, AND THIS NOTICE MUST REMAIN ON ALL COPIES.



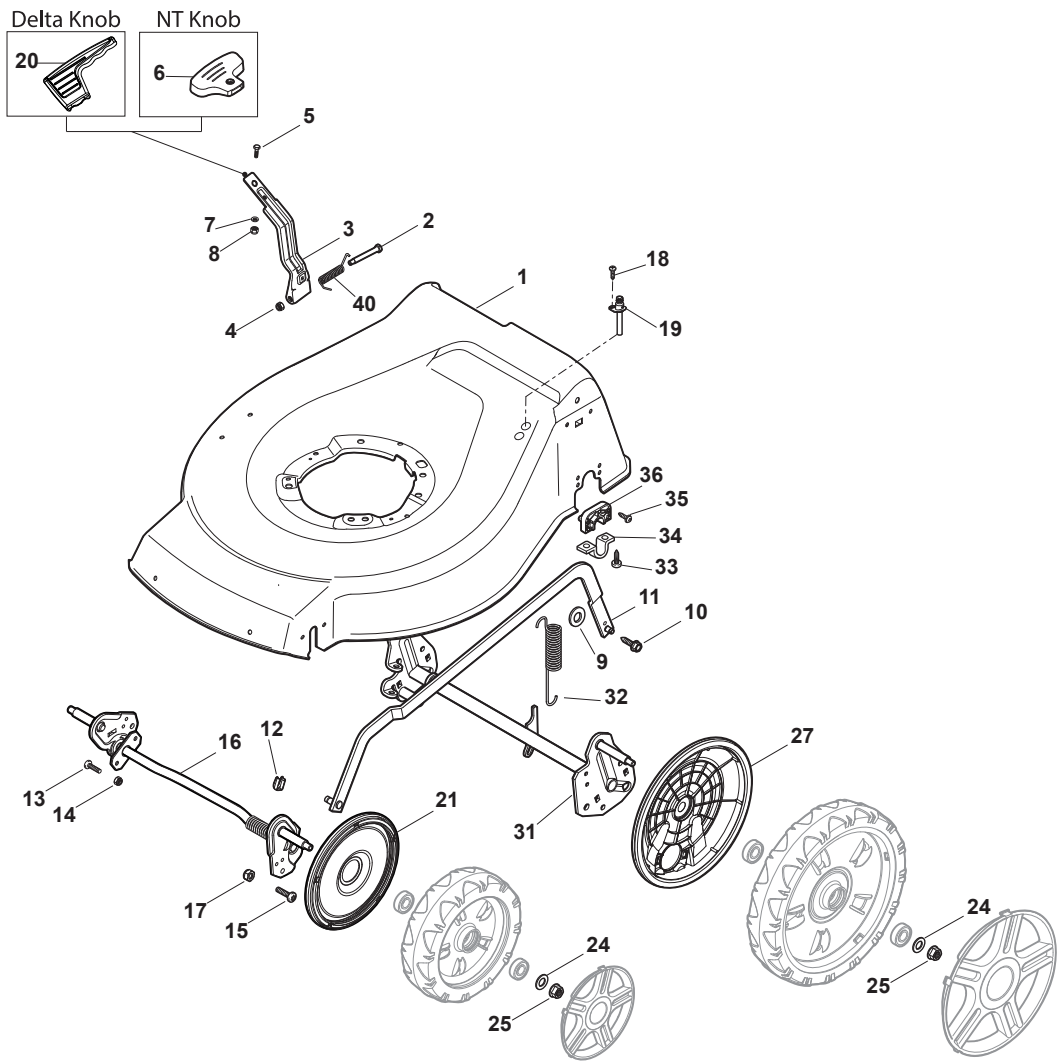


Fig.	Quantity	Part No	Description	Notes
20	1	322394522/0	Knob	Delta Knob
1	1	381004540/0	Red Deck	
1	1	381004542/0	Red Deck	Side Discharge
1	1	381004590/0	Yellow Deck	
1	1	381004732/0	Grey Deck	Side Discharge
2	1	122534131/0	Pin	
3	1	381003398/0	Lever, Height Adjustment	
4	1	112154510/0	Nut	
5	1	112788512/0	Screw	
6	1	322394503/0	Knob	NT Knob
7	1	112521310/0	Washer	
8	1	112150000/0	Nut	
9	1	112369500/0	Elastic Washer	
10	1	122943013/0	Screw	
11	1	381002032/0	Rod, Height Adjustment	
12	1	112436051/0	Plate	
13	3	112727803/0	Screw	
14	3	112154510/0	Nut	
15	1	112727801/0	Screw	
16	1	381002887/1	Front Wheel Axle	
17	1	112154510/0	Nut	
18	1	112728450/0	Screw	
19	1	322034002/0	Washing Connection	
21	2	322600145/0	Protection, Wheel	
24	4	112521350/0	Washer	
25	4	112155000/0	Nut	
27	2	322600208/0	Protection, Wheel	
31	1	381302831/0	Rear Wheel Axle	
32	1	122450460/0	Spring	
33	4	112728697/0	Screw	
34	2	322545152/0	Plate	
35	4	112728697/0	Screw	
36	2	322785304/1	Support	
40	1	122446192/0	Spring	

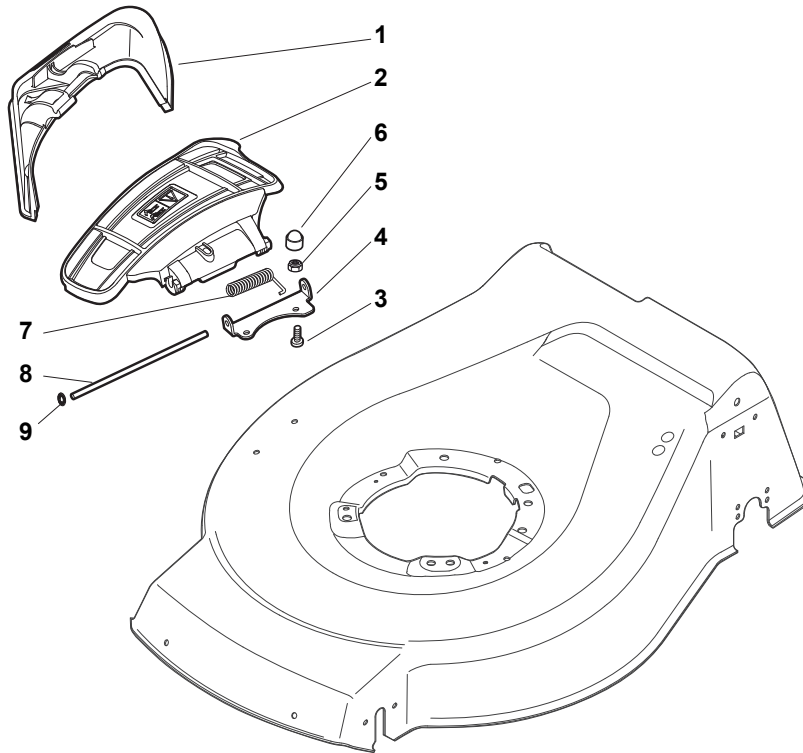


Fig.	Quantity	Part No	Description	Notes
1	1	322108295/1	Side Ejection Conveyor	
2	1	322600313/0	Ejection Guard	
3	2	112727803/0	Screw	
4	1	322806639/0	Fulcrum Pin	
5	2	112154510/0	Nut	
6	2	118203853/0	Screw	
7	1	122450456/0	Spring	
8	1	122517869/1	Pin	
9	2	112604896/0	Crown Fastener	

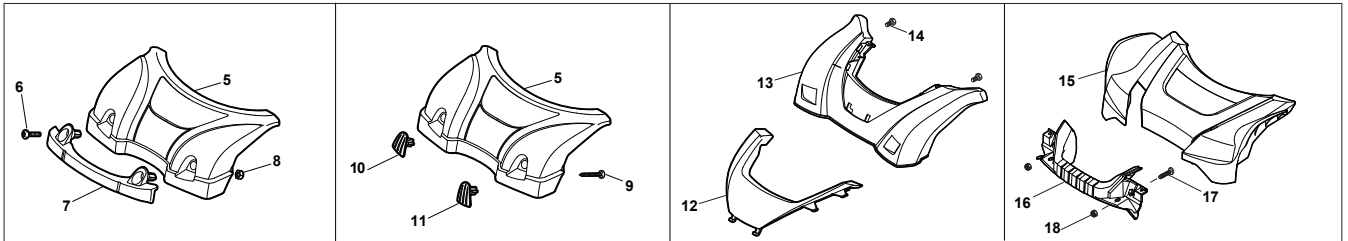


Fig.	Quantity	Part No	Description	Notes
1	1	322500103/0	Front Combi	
2	2	112523000/1	Washer	
3	2	112728124/0	Screw	
5	1	322226145/0	Mask, Red	
5	1	322226146/0	Mask, Yellow	with Stiga Logo
5	1	322226152/0	Mask, Black	with Stiga Logo
5	1	322226154/0	Mask, Black	
6	2	112727799/0	Screw	
7	1	322393638/0	Handlegrip Black	
7	1	322393639/0	Handle, Grey	
7	1	322393640/0	Handle, Yellow	
8	2	112154510/0	Nut	
9	2	112728697/0	Screw	
10	1	322820082/0	Cap	
11	1	322820083/0	Cap	
12	1	322226167/0	Front Plate	
13	1	322226166/0	Mask, Black	
14	2	112728300/0	Screw	
15	1	322226158/0	Mask, Black	
16	1	322393642/0	Bumper Handle	
17	2	112727799/0	Screw	
18	2	112154510/0	Nut	

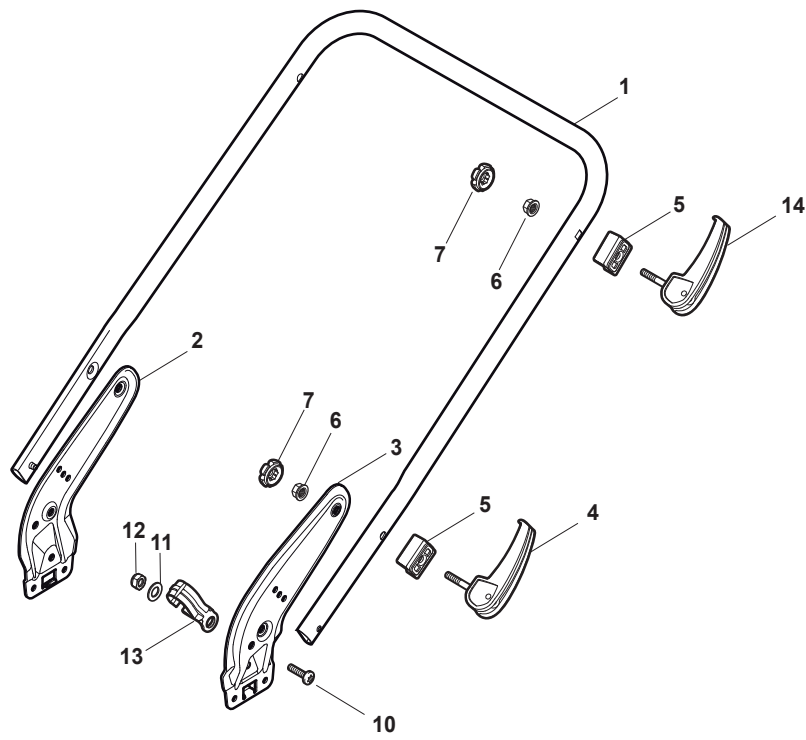


Fig.	Quantity	Part No	Description	Notes
1	1	381006719/0	Handle Lower Part	Black
1	1	381006720/0	Handle Lower Part	Grey
1	1	381007539/0	Handle, Lower Part Yellow	Yellow
2	1	381005149/0	Right Bracket	Black
2	1	381005185/0	Right Bracket	Stiga Grey
3	1	381005151/0	Left Bracket	Black
3	1	381005187/0	Left Bracket	Stiga Grey
4	4	381003253/0	Handle	
5	4	322680016/0	Washer	
6	4	122131750/0	Nut	
7	4	322399835/0	Knob	
10	2	112760605/0	Screw	
11	2	125038002/1	Bushing	
12	2	112155000/0	Nut	
13	1	322192156/0	Clip	
14	2	381103350/0	Handle	

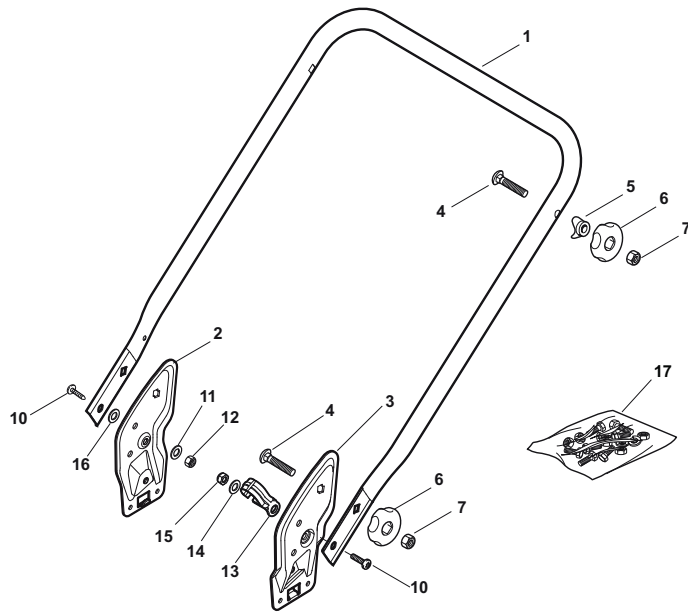


Fig.	Quantity	Part No	Description	Notes
1	1	381007043/0	Handle Lower Part	
2	1	381005133/0	Right Bracket	
3	1	381005135/0	Left Bracket	
4	1	112819120/0	Screw	
5	4	122680006/1	Washer	
6	4	322399804/1	Nut	
7	4	112293200/0	Nut	
10	4	112760605/0	Screw	
11	1	125038002/1	Bushing	
12	2	112155000/0	Nut	
13	2	322192156/0	Clip	
14	1	112523040/0	Washer	
15	1	112154510/0	Nut	
16	1	112369500/0	Elastic Washer	

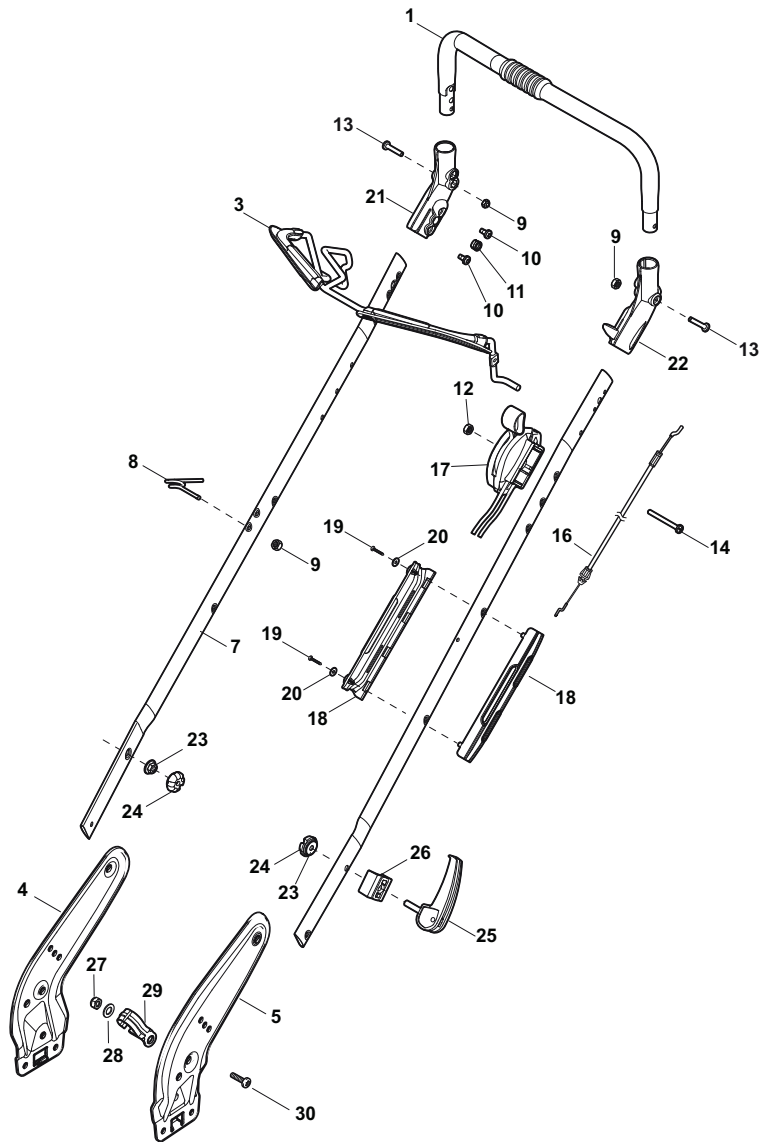


Fig.	Quantity	Part No	Description	Notes
1	1	381006670/2	Handle Tube	
3	1	381003472/0	Lever, Engine Brake	Black
3	1	381003344/0	Lever, Engine Brake	Red
4	1	381005149/0	Right Bracket	Black
4	1	381005185/0	Right Bracket	Stiga Grey
5	1	381005151/0	Left Bracket	Black
5	1	381005187/0	Left Bracket	Stiga Grey
7	2	381006773/1	Handle Black	
7	2	381006774/1	Handle Grey	
8	1	122430309/0	Spring	
9	2	112154330/0	Nut	
10	4	112735662/1	Screw	
11	4	322041967/1	Bushing	
12	3	112154510/0	Nut	
13	2	112728721/0	Screw	
14	1	112727786/0	Screw	
16	1	181030074/0	Cable, Thread Engine Brake	
17	1	181005525/0	Throttle Cable	for B&S 575 Series
17	1	181005502/1	Throttle Cable	for B&S Engine
17	1	181005512/0	Throttle Cable	for Honda and GGP Engine
17	1	181005513/0	Throttle Cable	for Honda Autochoke Engine
18	1	322806644/0	Protection	
19	2	112727812/0	Screw	
20	2	112523000/1	Washer	
21	1	322488301/0	Joint Sleeve Grey Right	
22	1	322488303/0	Joining Sleeve Grey Left	
23	2	112154220/0	Nut	
24	2	322399835/0	Knob	
25	2	381003253/0	Handle	
26	2	322680017/0	Washer	
27	1	112155000/0	Nut	
28	1	125038002/1	Bushing	
29	1	322192156/0	Clip	
30	1	112760605/0	Screw	

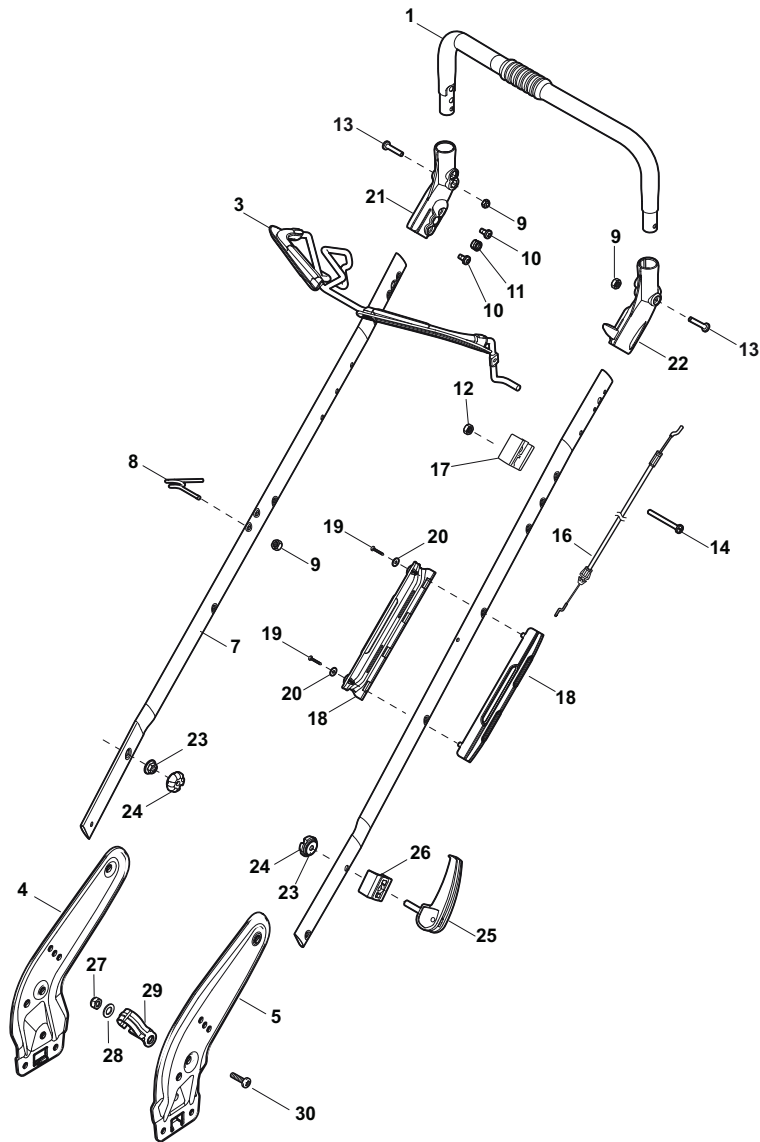
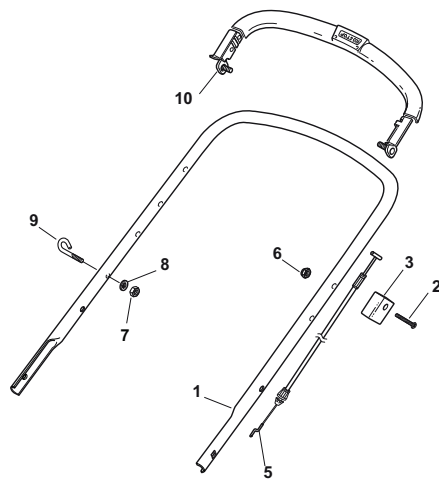


Fig.	Quantity	Part No	Description	Notes
1	1	381006670/2	Handle Tube	
3	1	381003472/0	Lever, Engine Brake	Black
3	1	381003344/0	Lever, Engine Brake	Red
4	1	381005149/0	Right Bracket	Black
4	1	381005185/0	Right Bracket	Stiga Grey
5	1	381005151/0	Left Bracket	Black
5	1	381005187/0	Left Bracket	Stiga Grey
7	2	381006773/1	Handle Black	
7	2	381006774/1	Handle Grey	
8	1	122430309/0	Spring	
9	2	112154330/0	Nut	
10	4	112735662/1	Screw	
11	4	322041967/1	Bushing	
12	3	112154510/0	Nut	
13	2	112728721/0	Screw	
14	1	112727786/0	Screw	
16	1	181030100/0	Cable, Thread Engine Brake	
17	1	322551639/0	Fixed Plate	
18	1	322806644/0	Protection	
19	2	112727812/0	Screw	
20	2	112523000/1	Washer	
21	1	322488301/0	Joint Sleeve Grey Right	
22	1	322488303/0	Joining Sleeve Grey Left	
23	2	112154220/0	Nut	
24	2	322399835/0	Knob	
25	2	381003253/0	Handle	
26	2	322680017/0	Washer	
27	1	112155000/0	Nut	
28	1	125038002/1	Bushing	
29	1	322192156/0	Clip	
30	1	112760605/0	Screw	



NTL 534 W - 534 WQ

WBH Petrol Steel Handle, Upper Part

Issue 9 - 2015

Fig.	Quantity	Part No	Description	Notes
1	1	381006979/2	Upper Handle	
2	1	112727787/0	Screw	
3	1	322551640/0	Plate	
5	1	181030056/0	Cable, Thread Engine Brake	Honda / B&S / GGP Engine
6	1	112154510/0	Nut	
7	1	112154510/0	Nut	
8	1	112521330/0	Washer	
9	1	122430313/0	Guide Spring	
10	1	381003330/0	Lever, Engine Brake	

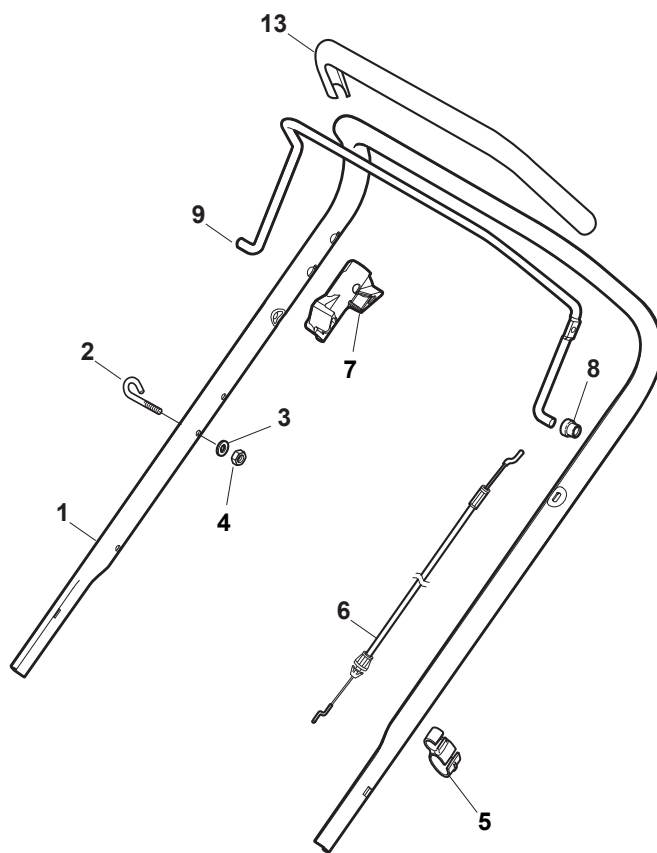
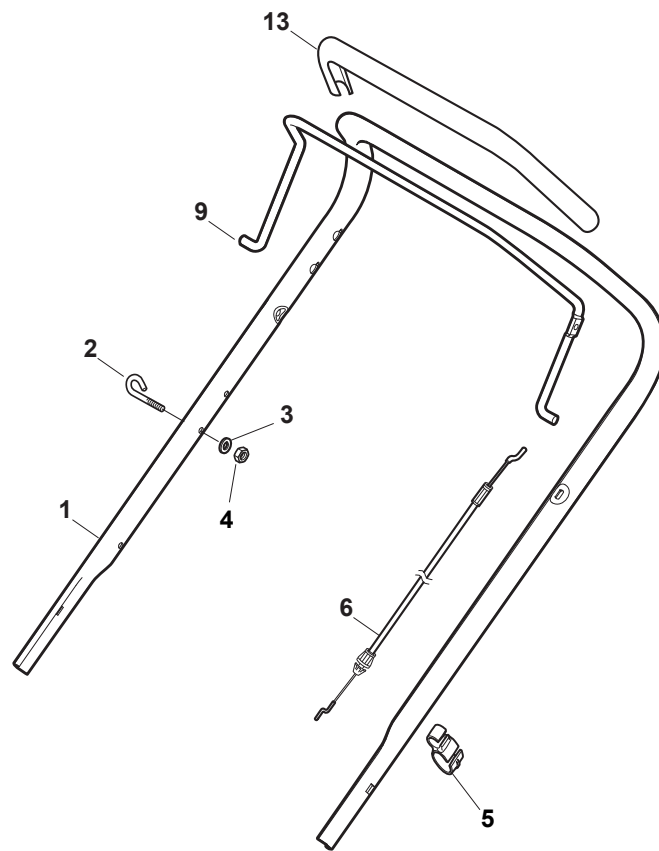


Fig.	Quantity	Part No	Description	Notes
1	1	381006838/0	Handle, Upper Part Black	Black without sponge handgrip
1	1	381006839/0	Handle, Upper Part	Black with sponge handgrip
1	1	381007525/0	Handle, Upper Part Grey	Grey with sponge handgrip
2	1	122430313/0	Guide Spring	
3	1	112521330/0	Washer	
4	1	112154510/0	Nut	
5	1	118390020/0	Conduit Clip Caproeurope	
6	1	181030053/0	Cable, Thread Engine Brake	B&S 625-675 Series / GGP Engine
6	1	181030070/0	Cable, Thread Engine Brake	Honda Engine
7	1	322545204/0	Fulcrum Pin	
8	1	122041966/0	Bushing	
9	1	181003300/0	Lever, Engine Brake	
13	1	122291050/0	Handgrip Black	



NTL 534 W - 534 WQ

WBH Petrol Steel Handle, Upper Part

Issue 9 - 2015

Fig.	Quantity	Part No	Description	Notes
1	1	381006840/0	Handle, Upper Part	DELTA Dashboard or NT Throttle
1	1	381007520/0	Handle, Upper Part	TD-CA Dashboard
2	1	122430313/0	Guide Spring	
3	1	112521330/0	Washer	
4	1	112154510/0	Nut	
5	1	118390020/0	Conduit Clip Caproeurope	
6	1	181030053/0	Cable, Thread Engine Brake	GGP Engine / B&S 450-500-550-625-675 Series
6	1	181030070/0	Cable, Thread Engine Brake	Honda Engine
9	1	181003363/1	Lever, Engine Brake Black	
13	1	122291050/0	Handgrip Black	

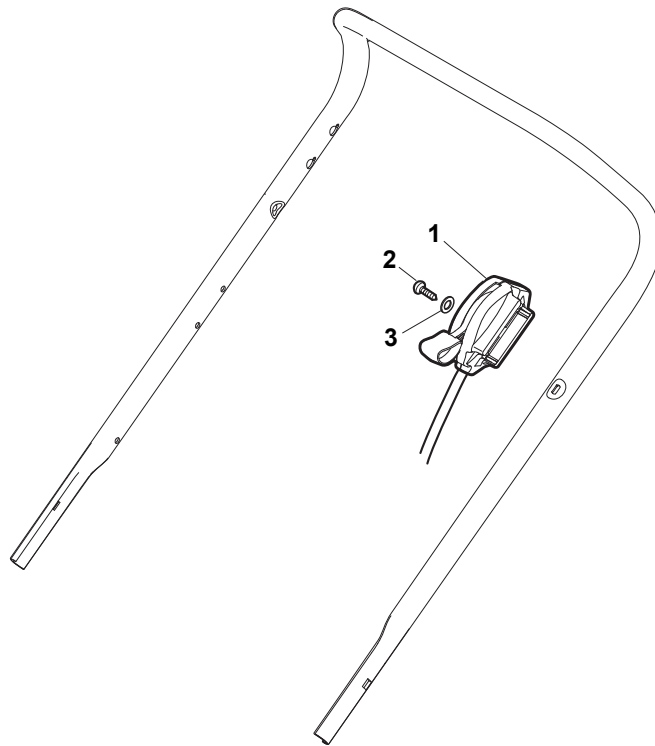
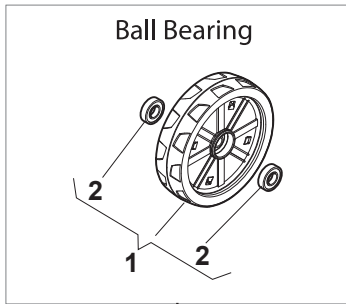
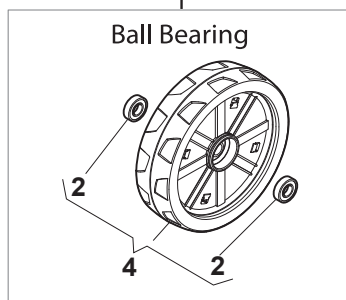
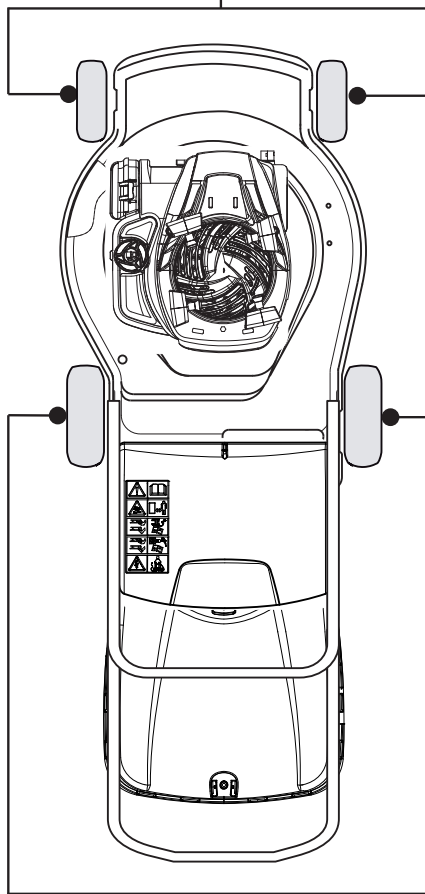
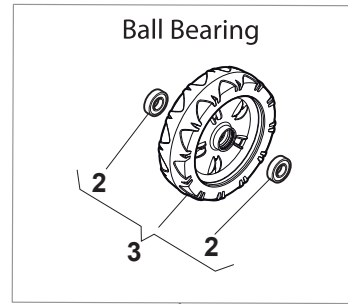


Fig.	Quantity	Part No	Description	Notes
1	1	181005502/1	Throttle Cable	for B&S Engines
1	1	181005503/1	Throttle Cable	for HONDA AC Engines
1	1	181005515/0	Throttle Cable	for B&S 500-550-575 Series
1	1	181005537/0	Throttle Cable	for GGP RS/RSC/RSCT Engines
1	1	181005501/1	Throttle Cable	for GGP and HONDA Engines
2	1	112735103/0	Screw	
3	1	112523040/0	Washer	

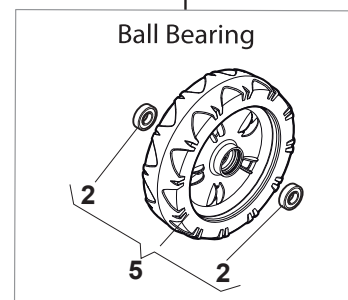
DELTA Wheels - Ø 200



NTD Wheels - Ø 200



DELTA Wheels - Ø 280



NTD Wheels - Ø 280

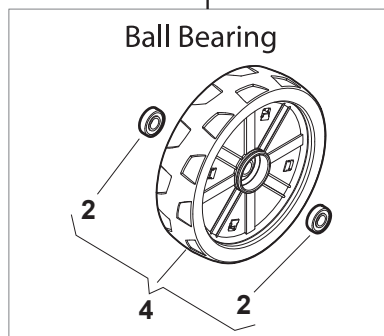
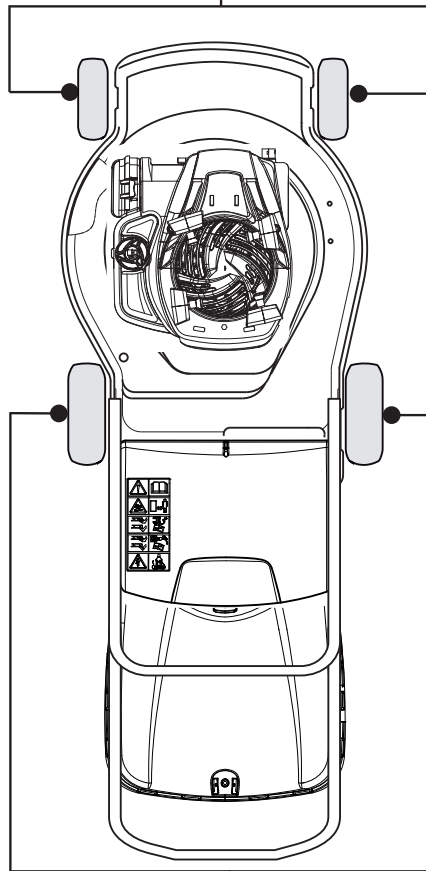
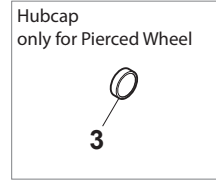
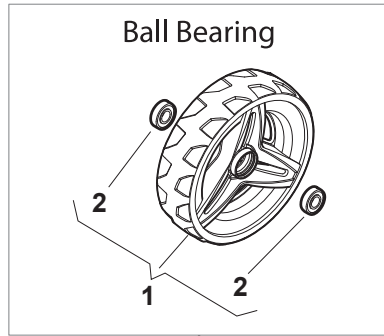
NTL 534 W - 534 WQ

WBH Petrol Steel **Wheels and Hub Caps**

Issue 9 - 2015

Fig.	Quantity	Part No	Description	Notes
1	2	381007483/1	Wheel	
2	8	119216035/0	Bearing	
3	2	381007416/2	Wheel	
4	2	381007478/1	Wheel	
5	2	381007417/2	Wheel	

DELTA Wheel (Pierced) - Ø 200



DELTA Wheel - Ø 280

NTL 534 W - 534 WQ

WBH Petrol Steel Wheels and Hub Caps

Issue 9 - 2015

Fig.	Quantity	Part No	Description	Notes
3	2	322110640/0	Hub Cap Grey	
4	2	381007478/1	Wheel	
2	8	119216035/0	Bearing	
1	2	381007477/0	Wheel	

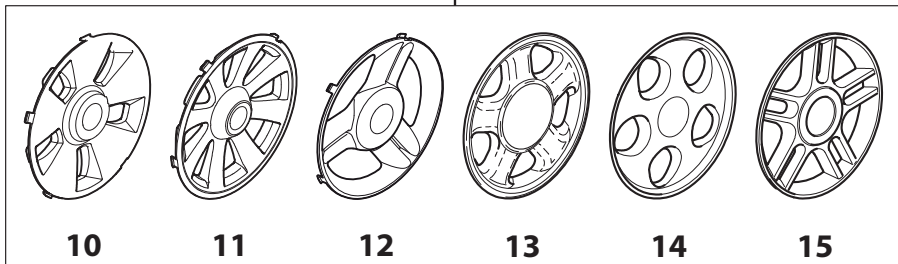
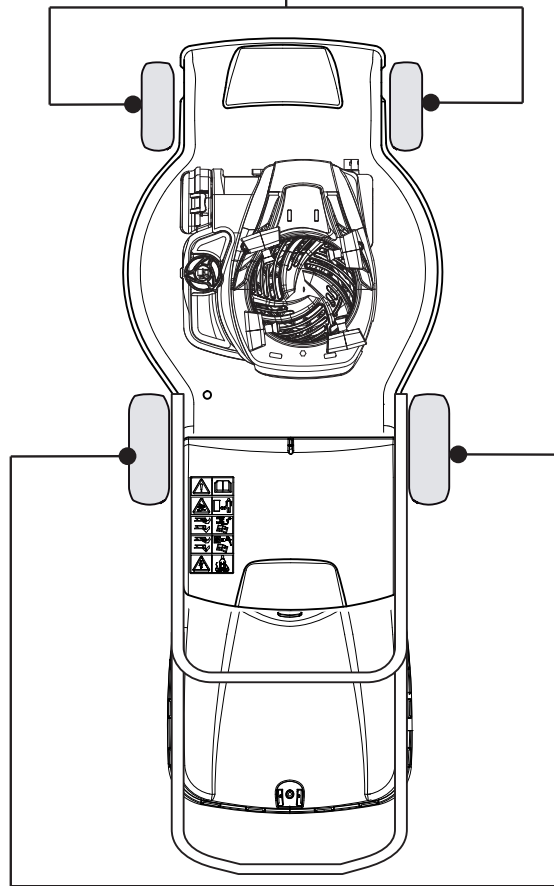
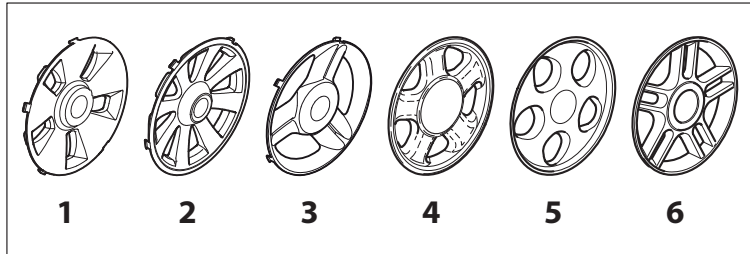
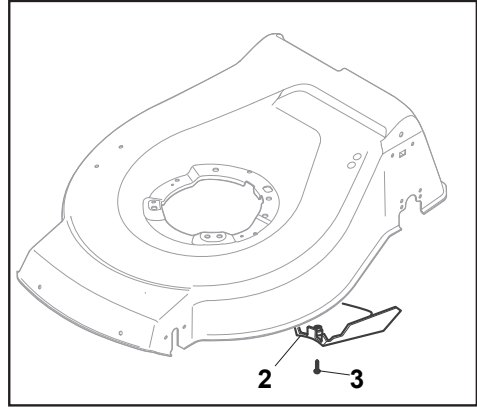
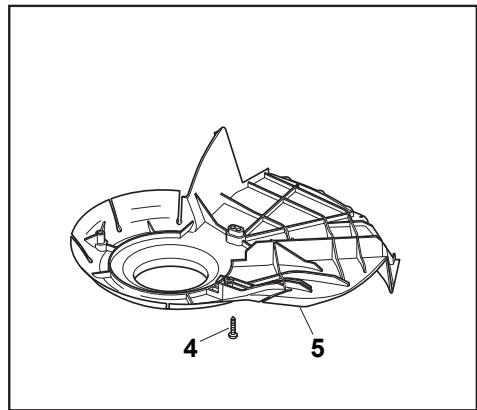


Fig.	Quantity	Part No	Description	Notes
1	2	322110643/0	Hub Cap Grey	
2	2	322110645/0	Hub Cap Grey	
2	2	322110649/0	Hub Cap Yellow	
3	2	322110687/0	Hub Cap Grey	
4	2	322110382/0	Hub Cap Grey	
5	2	322110416/0	Hub Cap Grey	
6	2	322110492/0	Hub Cap Grey	
10	2	322110644/0	Hub Cap Grey	
11	2	322110646/0	Hub Cap Grey	
11	2	322110650/0	Hub Cap Yellow	
12	2	322110641/0	Hub Cap Grey	
13	2	322110511/0	Hub Cap Grey	
14	2	322110417/0	Hub Cap Grey	
15	2	322110560/0	Hub Cap Grey	

CARTER STANDARD (No Mulching)



CARTER MULCHING (No Mulching)



KIT MULCHING

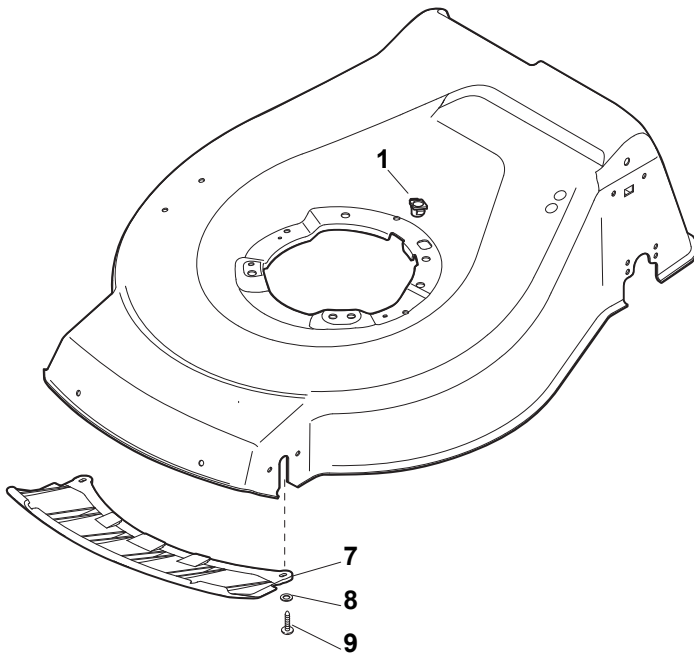
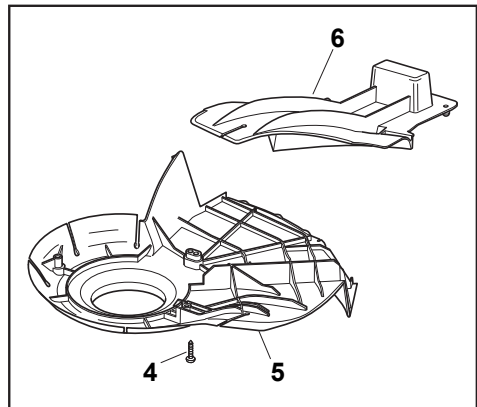


Fig.	Quantity	Part No	Description	Notes
1	1	322291150/0	Rubber Insert	
2	1	122060193/0	Belt Protection	
3	1	112728530/0	Screw	
4	3	112728530/0	Screw	
5	1	322060197/3	Belt Protection	Not for BBC models
6	1	122140222/0	Mulching Deflector	
7	1	322500103/0	Front Combi	
8	2	112523000/1	Washer	
9	2	112728124/0	Screw	

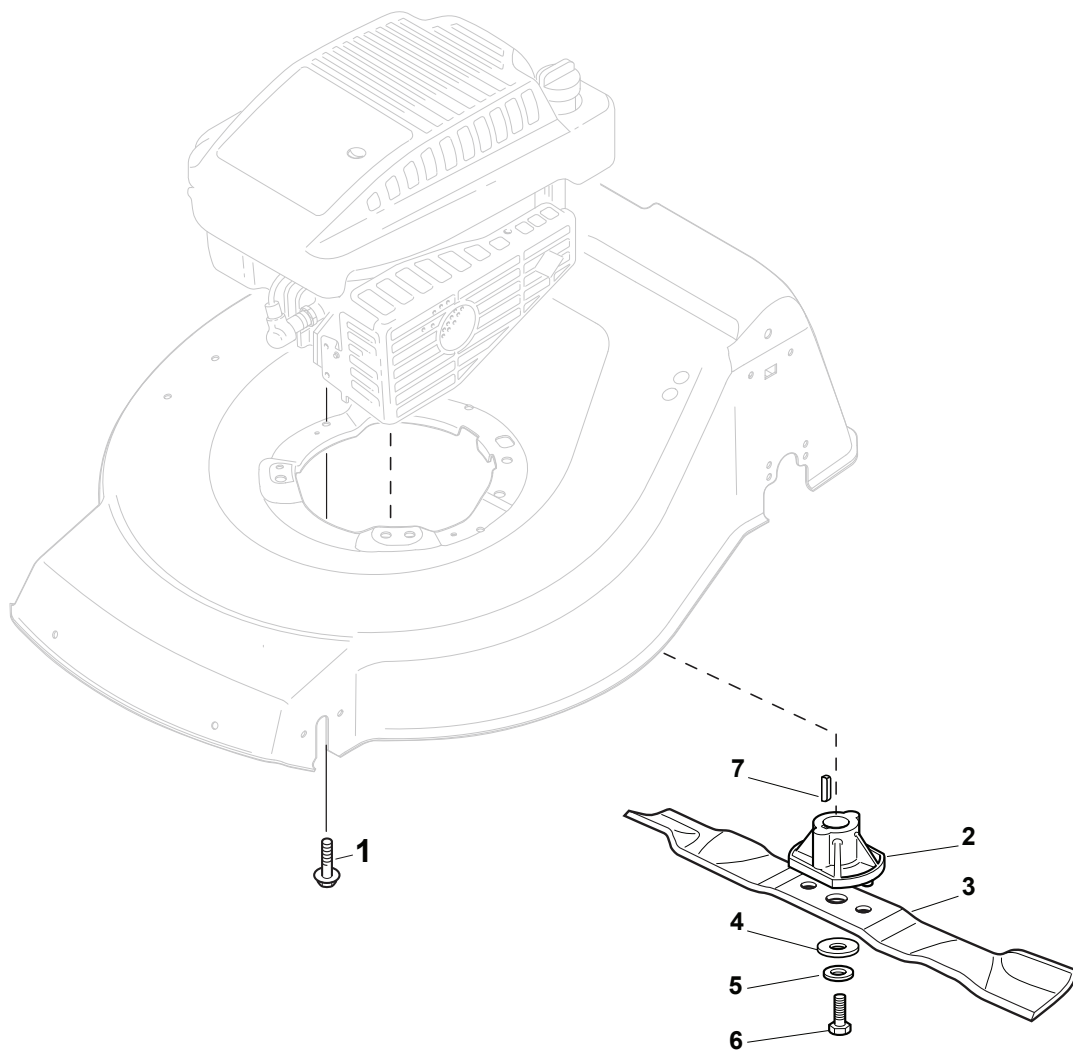


Fig.	Quantity	Part No	Description	Notes
1	3	112735108/1	Screw	
2	1	122463012/2	Hub, Crankshaft Ø 22.2	for B&S and GGP Engines
2	1	122463020/1	Hub, Crankshaft Ø 25	for HONDA Engines
3	1	181004381/1	Blade Standard	
4	1	122160400/0	Elastic Disc	
5	1	112523080/0	Washer	
6	1	112735698/0	Screw	
7	1	112139100/0	Feather, Crankshaft Ø 22,2	for B&S and GGP Engines
7	1	112139150/0	Feather, Crankshaft Ø 25	for HONDA Engines

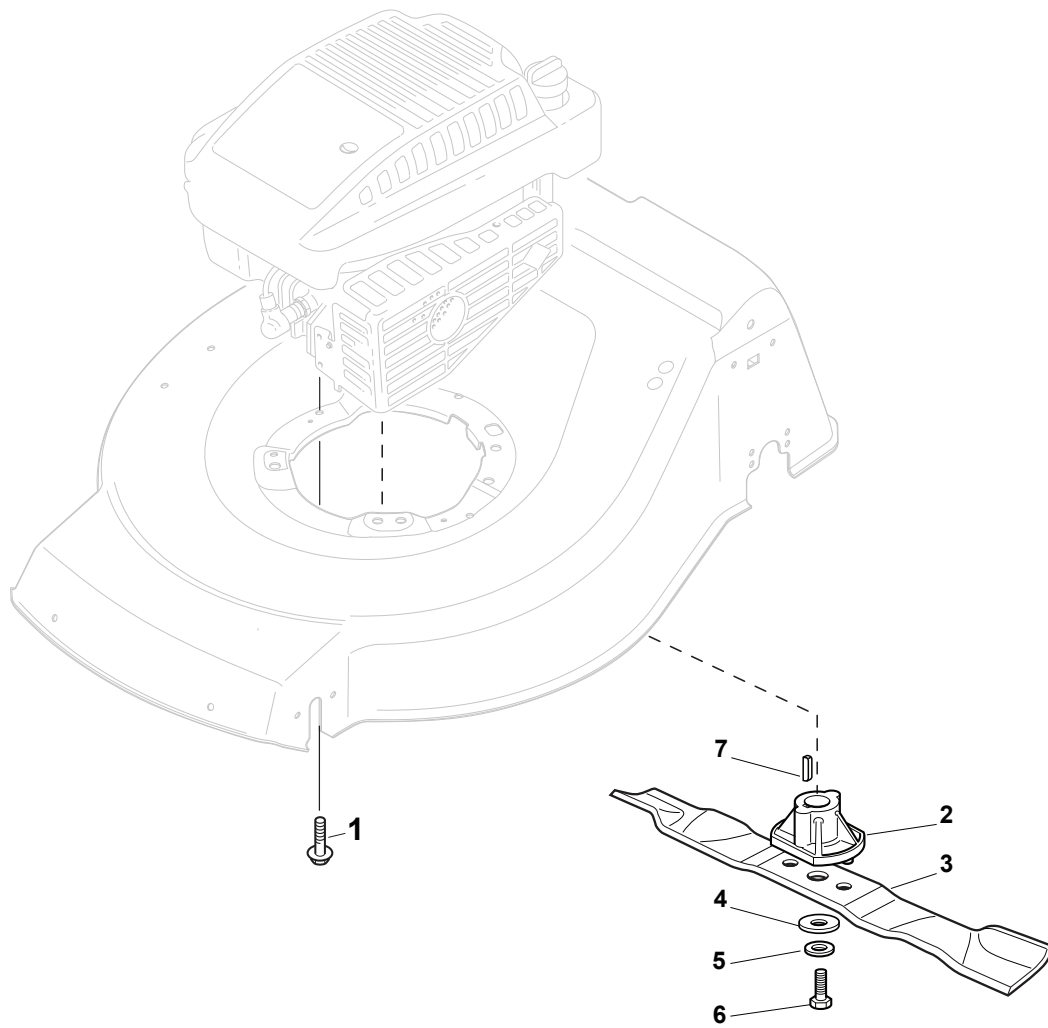


Fig.	Quantity	Part No	Description	Notes
1	3	112735108/1	Screw	
2	1	122463012/2	Hub, Crankshaft Ø 22.2	for B&S and GGP Engines
2	1	122463020/1	Hub, Crankshaft Ø 25	for HONDA Engines
3	1	181004398/0	Blade Winged	
4	1	122160400/0	Elastic Disc	
5	1	112523080/0	Washer	
6	1	112735698/0	Screw	
7	1	112139100/0	Feather, Crankshaft Ø 22,2	for B&S and GGP Engines
7	1	112139150/0	Feather, Crankshaft Ø 25	for HONDA Engines

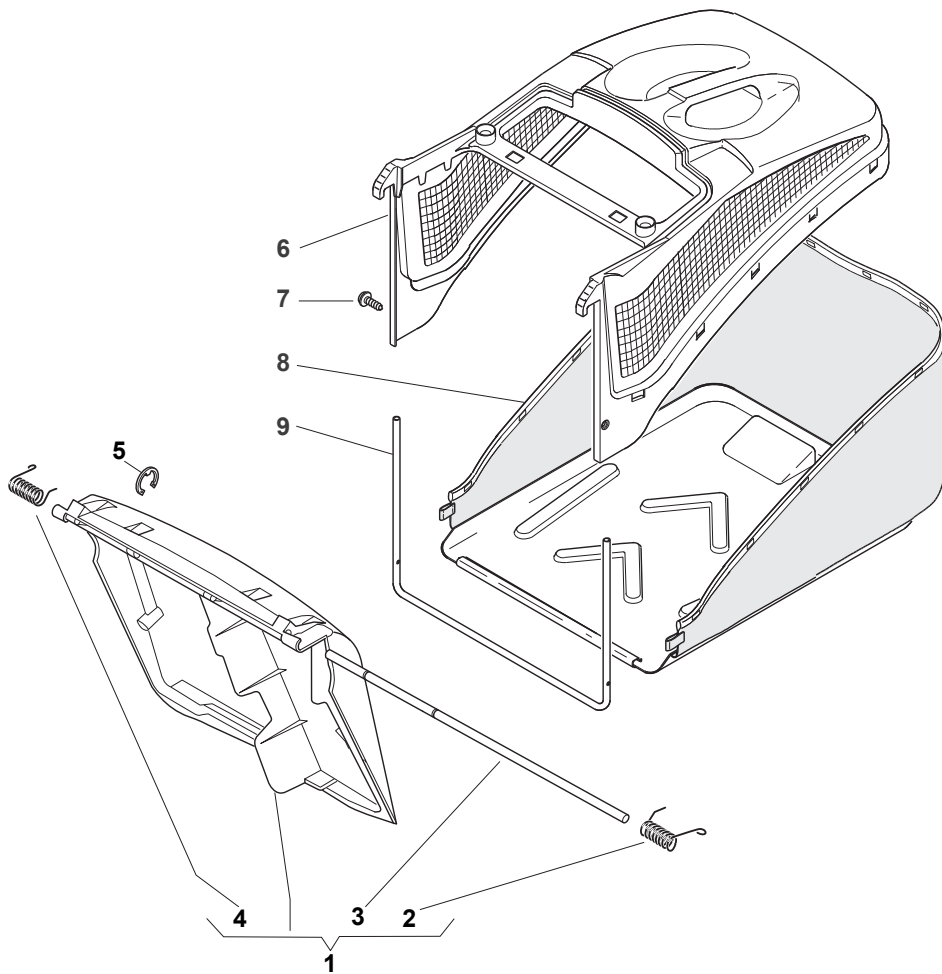


Fig.	Quantity	Part No	Description	Notes
1	1	381008021/2	Stone Guard	Black
2	1	122450420/1	Left Protection Spring	
3	1	122517906/1	Fulcrum Pin	
4	1	122450410/1	Right Spring	
5	1	112000930/0	Benzing Ring	
6	1	122486093/0	Box, Upper Side	
7	2	112728445/0	Screw	
8	1	181002195/0	Box, Fabric	
9	1	122608523/0	Stiffening	

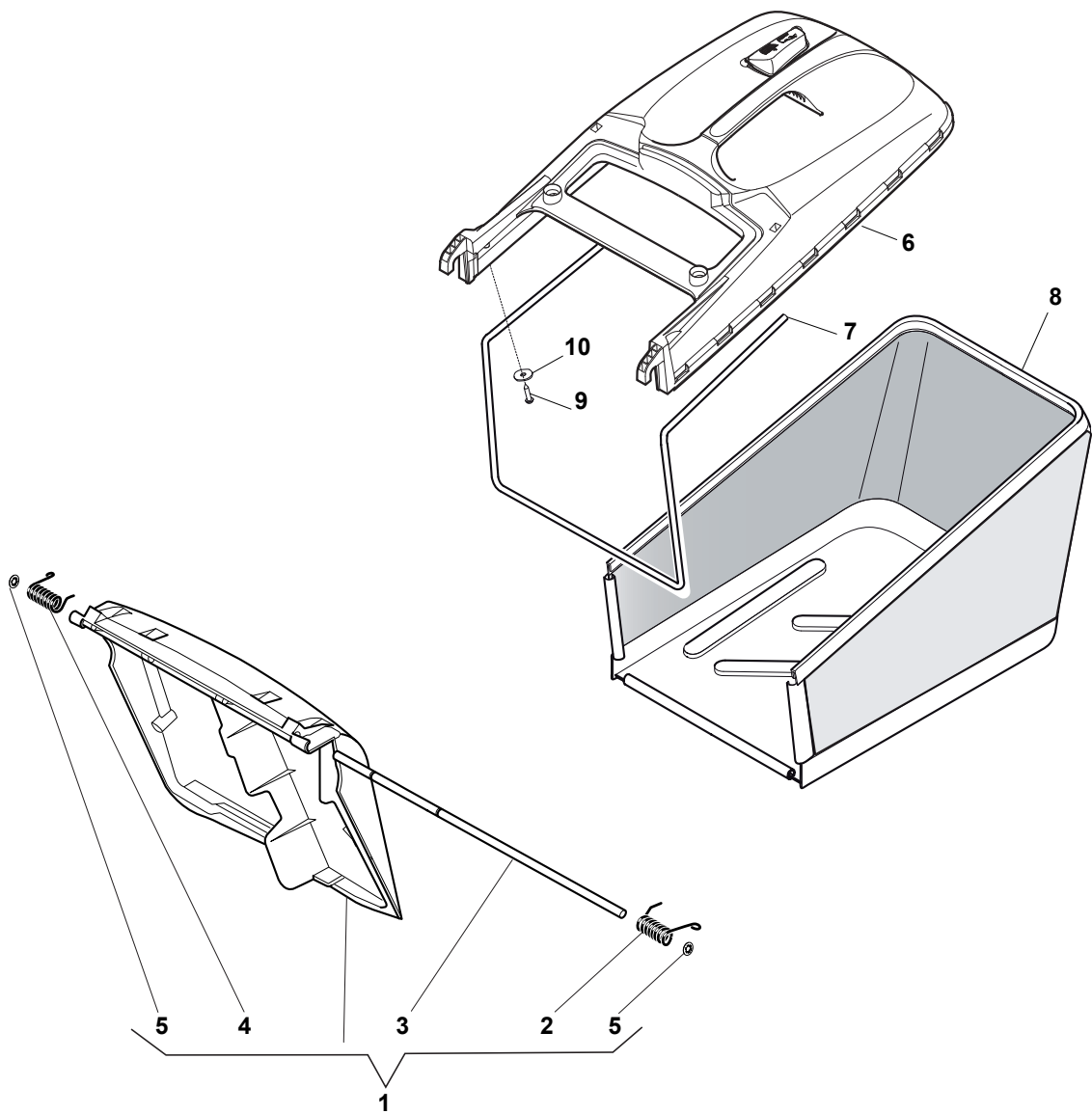


Fig.	Quantity	Part No	Description	Notes
1	1	381008081/2	Stone Guard, Black	Black
1	1	381008098/1	Stone Guard, White	White
1	1	381008082/2	Stone Guard, Yellow	Yellow
2	1	122450466/0	Left Spring	
3	1	122517882/0	Pin	
4	1	122450465/0	Right Spring	
5	2	112604899/0	Crown Fastener	
6	1	381486008/0	Grass-Box, Upper Part	Black
6	1	381486030/0	Grass-Box, Upper Part	Grey
6	1	381486012/0	Grass-Box, Upper Part	Yellow
7	1	122608525/1	Stiffening Lower	
8	1	181002211/0	Box, Fabric	
9	2	112728680/0	Screw	
10	2	112523050/0	Washer	

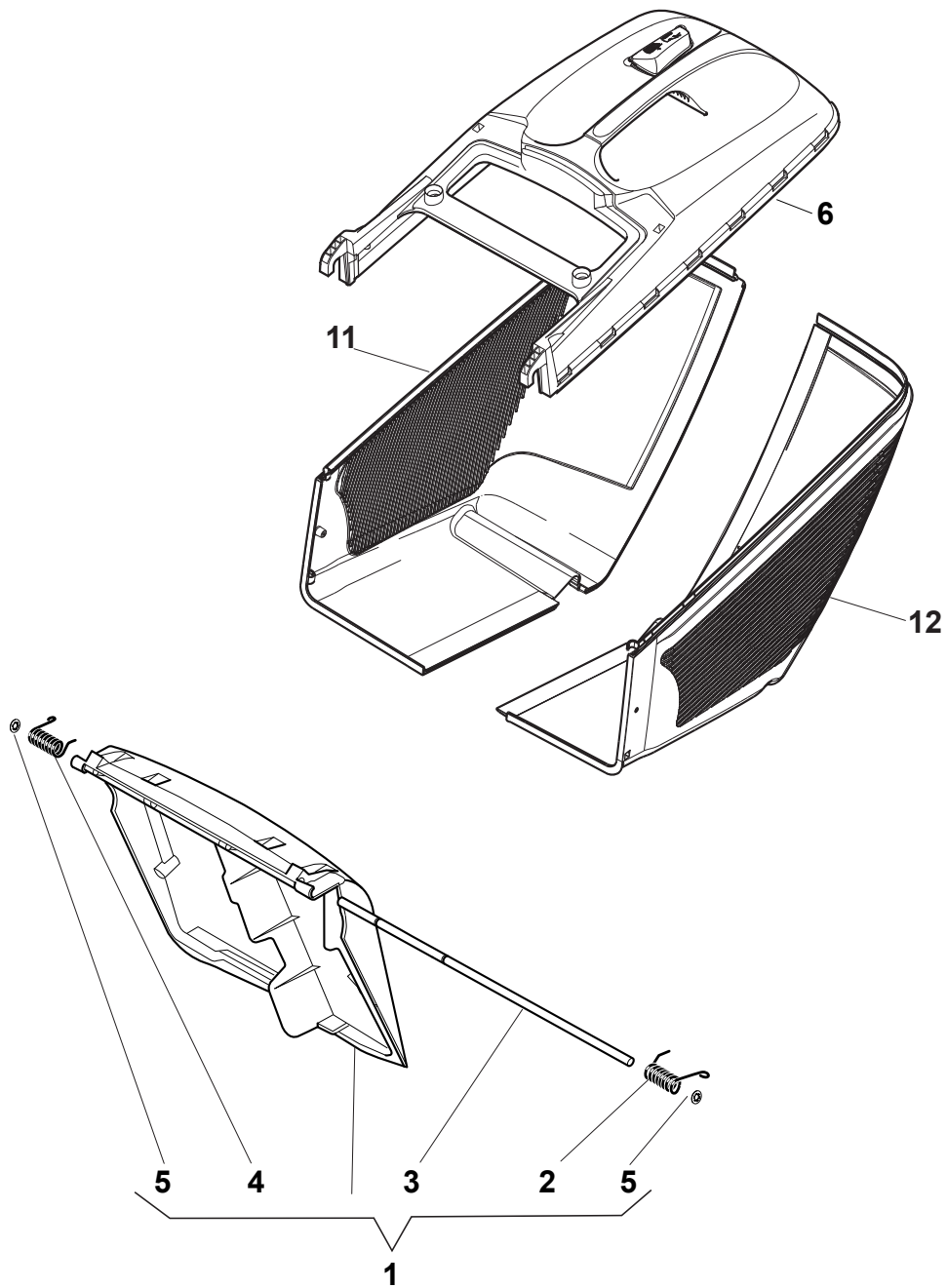


Fig.	Quantity	Part No	Description	Notes
1	1	381008081/2	Stone Guard, Black	Black
1	1	381008098/1	Stone Guard, White	White
1	1	381008082/2	Stone Guard, Yellow	Yellow
2	1	122450466/0	Left Spring	
3	1	122517882/0	Pin	
4	1	122450465/0	Right Spring	
5	2	112604899/0	Crown Fastener	
6	1	381486008/0	Grass-Box, Upper Part	Black
6	1	381486030/0	Grass-Box, Upper Part	Grey
6	1	381486012/0	Grass-Box, Upper Part	Yellow
11	1	322486150/1	Grass-Box, Right Lower Part	
12	1	322486151/1	Grass-Box, Left Lower Part	

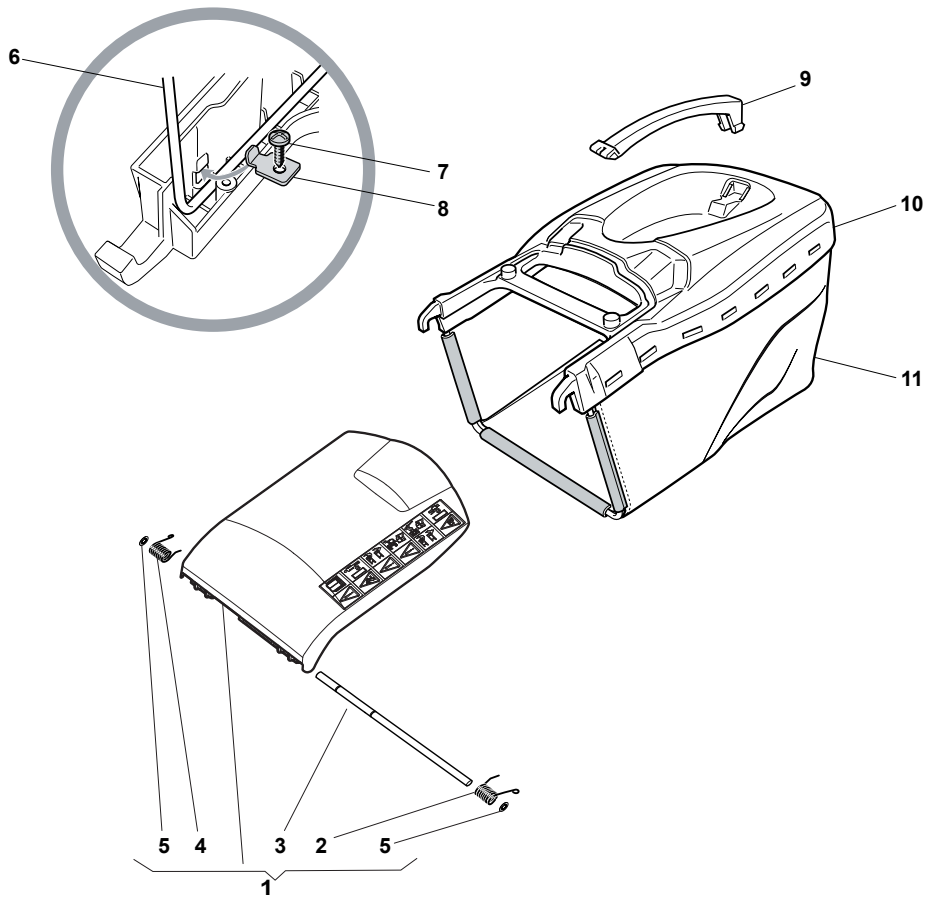


Fig.	Quantity	Part No	Description	Notes
1	1	381008129/0	Stone Guard, Yellow	Yellow
1	1	381008128/0	Stone Guard, Black	Black
2	1	122450466/0	Left Spring	
3	1	122517882/0	Pin	
4	1	122450465/0	Right Spring	
5	2	112604899/0	Crown Fastener	
6	1	122608505/0	Stiffening	
7	2	112728680/0	Screw	
8	2	322545159/0	Plate	
9	1	322393657/0	Handle	Black
9	1	322393721/0	Handle	Grey
10	1	381486009/0	Grass-Box, Upper	Black
10	1	381486031/0	Grass-Box, Upper	Grey
11	1	181002345/0	Box, Fabric	

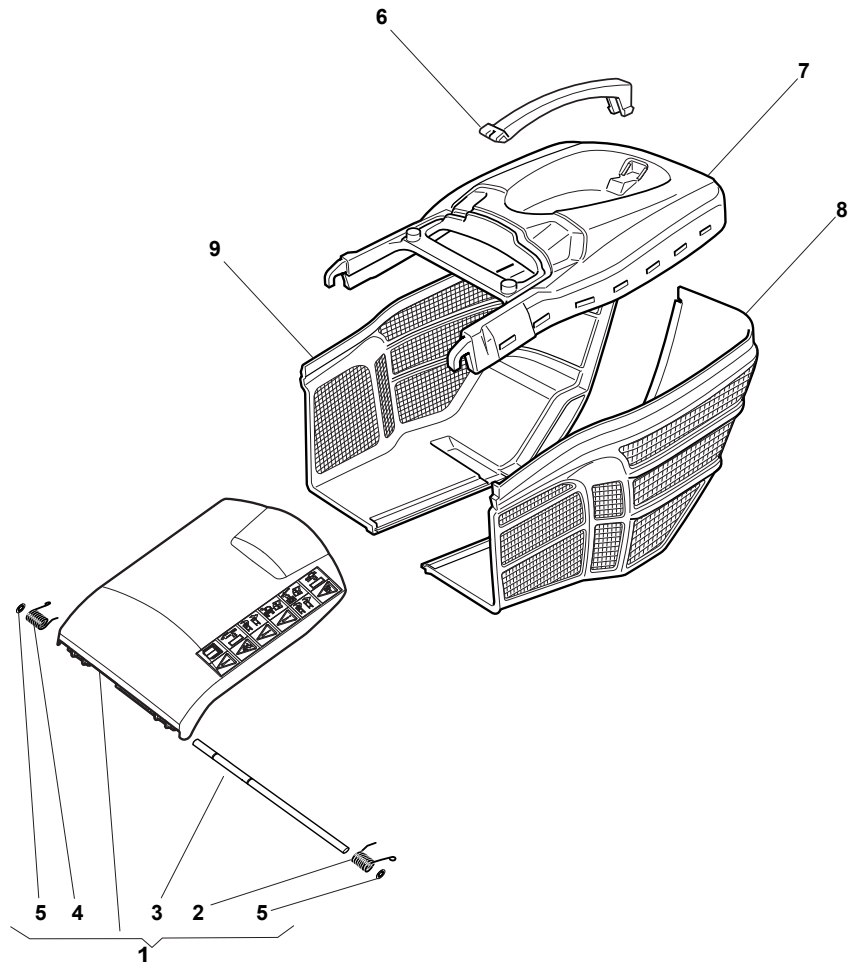


Fig.	Quantity	Part No	Description	Notes
1	1	381008129/0	Stone Guard, Yellow	Yellow
1	1	381008128/0	Stone Guard, Black	Black
2	1	122450466/0	Left Spring	
3	1	122517882/0	Pin	
4	1	122450465/0	Right Spring	
5	2	112604899/0	Crown Fastener	
6	1	322393657/0	Handle	Black
6	1	322393721/0	Handle	Grey
7	1	381486009/0	Grass-Box, Upper	Black
7	1	381486031/0	Grass-Box, Upper	Grey
8	1	322486306/0	Grass-Box, L Lower	Black
9	1	322486305/0	Grass-Box, R Lower	Black

code	pos.	q.ty	page										
112000930/0	5	1	p. 37	112728445/0	7	2	p. 37	122534131/0	2	1	p. 3		
112139100/0	7	1	p. 33	112728450/0	18	1	p. 3	122608505/0	6	1	p. 43		
112139100/0	7	1	p. 35	112728530/0	3	1	p. 31	122608523/0	9	1	p. 37		
112139150/0	7	1	p. 33	112728530/0	4	3	p. 31	122608525/1	7	1	p. 39		
112139150/0	7	1	p. 35	112728680/0	7	2	p. 43	122680006/1	5	4	p. 11		
112150000/0	8	1	p. 3	112728680/0	9	2	p. 39	122943013/0	10	1	p. 3		
112154220/0	23	2	p. 13	112728697/0	9	2	p. 7	125038002/1	11	1	p. 11		
112154220/0	23	2	p. 15	112728697/0	33	4	p. 3	125038002/1	11	2	p. 9		
112154330/0	9	2	p. 13	112728697/0	35	4	p. 3	125038002/1	28	1	p. 13		
112154330/0	9	2	p. 15	112728721/0	13	2	p. 13	125038002/1	28	1	p. 15		
112154510/0	4	1	p. 3	112728721/0	13	2	p. 15	181002195/0	8	1	p. 37		
112154510/0	4	1	p. 19	112735103/0	2	1	p. 23	181002211/0	8	1	p. 39		
112154510/0	4	1	p. 21	112735108/1	1	3	p. 33	181002345/0	11	1	p. 43		
112154510/0	4	1	p. 5	112735108/1	1	3	p. 35	181003300/0	9	1	p. 19		
112154510/0	5	2	p. 17	112735662/1	10	4	p. 13	181003363/1	9	1	p. 21		
112154510/0	6	1	p. 17	112735662/1	10	4	p. 15	181004381/1	3	1	p. 33		
112154510/0	7	1	p. 7	112735698/0	6	1	p. 33	181004398/0	3	1	p. 35		
112154510/0	8	2	p. 13	112735698/0	6	1	p. 35	181005501/1	1	1	p. 23		
112154510/0	12	3	p. 15	112760605/0	10	2	p. 9	181005502/1	1	1	p. 23		
112154510/0	12	3	p. 3	112760605/0	10	4	p. 11	181005502/1	17	1	p. 13		
112154510/0	14	3	p. 11	112760605/0	30	1	p. 13	181005503/1	1	1	p. 23		
112154510/0	15	1	p. 3	112760605/0	30	1	p. 15	181005512/0	17	1	p. 13		
112154510/0	17	1	p. 7	112788512/0	5	1	p. 3	181005513/0	17	1	p. 13		
112155000/0	12	2	p. 9	112819120/0	4	1	p. 11	181005515/0	1	1	p. 23		
112155000/0	12	2	p. 11	118203853/0	6	2	p. 5	181005525/0	17	1	p. 13		
112155000/0	25	4	p. 3	118390020/0	5	1	p. 19	181005537/0	1	1	p. 23		
112155000/0	27	1	p. 13	118390020/0	5	1	p. 21	181030053/0	6	1	p. 19		
112155000/0	27	1	p. 15	119216035/0	2	8	p. 25	181030053/0	6	1	p. 21		
112293200/0	7	4	p. 11	119216035/0	2	8	p. 27	181030056/0	5	1	p. 17		
112369500/0	9	1	p. 3	122041966/0	8	1	p. 19	181030070/0	6	1	p. 19		
112369500/0	16	1	p. 11	122060193/0	2	1	p. 31	181030070/0	6	1	p. 21		
112436051/0	12	1	p. 3	122131750/0	6	4	p. 9	181030074/0	16	1	p. 13		
112521310/0	7	1	p. 3	122140222/0	6	1	p. 31	181030100/0	16	1	p. 15		
112521330/0	3	1	p. 19	122160400/0	4	1	p. 33	322034002/0	19	1	p. 3		
112521330/0	3	1	p. 21	122160400/0	4	1	p. 35	322041967/1	11	4	p. 13		
112521330/0	8	1	p. 17	122291050/0	13	1	p. 19	322041967/1	11	4	p. 15		
112521350/0	24	4	p. 3	122291050/0	13	1	p. 21	322060197/3	5	1	p. 31		
112523000/1	2	2	p. 7	122430309/0	8	1	p. 13	322108295/1	1	1	p. 5		
112523000/1	8	2	p. 31	122430309/0	8	1	p. 15	322110382/0	4	2	p. 29		
112523000/1	20	2	p. 13	122430313/0	2	1	p. 19	322110416/0	5	2	p. 29		
112523000/1	20	2	p. 15	122430313/0	2	1	p. 21	322110417/0	14	2	p. 29		
112523040/0	3	1	p. 23	122430313/0	9	1	p. 17	322110492/0	6	2	p. 29		
112523040/0	14	1	p. 11	122446192/0	40	1	p. 3	322110511/0	13	2	p. 29		
112523050/0	10	2	p. 39	122450410/1	4	1	p. 37	322110560/0	15	2	p. 29		
112523080/0	5	1	p. 33	122450420/1	2	1	p. 37	322110640/0	3	2	p. 27		
112523080/0	5	1	p. 35	122450456/0	7	1	p. 5	322110641/0	12	2	p. 29		
112604896/0	9	2	p. 5	122450460/0	32	1	p. 3	322110643/0	1	2	p. 29		
112604899/0	5	2	p. 39	122450465/0	4	1	p. 39	322110644/0	10	2	p. 29		
112604899/0	5	2	p. 41	122450465/0	4	1	p. 41	322110645/0	2	2	p. 29		
112604899/0	5	2	p. 43	122450465/0	4	1	p. 43	322110646/0	11	2	p. 29		
112604899/0	5	2	p. 45	122450465/0	4	1	p. 45	322110649/0	2	2	p. 29		
112727786/0	14	1	p. 13	122450466/0	2	1	p. 39	322110650/0	11	2	p. 29		
112727786/0	14	1	p. 15	122450466/0	2	1	p. 41	322110687/0	3	2	p. 29		
112727787/0	2	1	p. 17	122450466/0	2	1	p. 43	322192156/0	13	1	p. 9		
112727799/0	6	2	p. 7	122450466/0	2	1	p. 45	322192156/0	13	2	p. 11		
112727799/0	17	2	p. 7	122463012/2	2	1	p. 33	322192156/0	29	1	p. 13		
112727801/0	15	1	p. 3	122463012/2	2	1	p. 35	322192156/0	29	1	p. 15		
112727803/0	3	2	p. 5	122463020/1	2	1	p. 33	322226145/0	5	1	p. 7		
112727803/0	13	3	p. 3	122463020/1	2	1	p. 35	322226146/0	5	1	p. 7		
112727812/0	19	2	p. 13	122486093/0	6	1	p. 37	322226152/0	5	1	p. 7		
112727812/0	19	2	p. 15	122517869/1	8	1	p. 5	322226154/0	5	1	p. 7		
112728124/0	3	2	p. 7	122517882/0	3	1	p. 39	322226158/0	15	1	p. 7		
112728124/0	9	2	p. 31	122517882/0	3	1	p. 41	322226166/0	13	1	p. 7		
112728300/0	14	2	p. 7	122517882/0	3	1	p. 43	322226167/0	12	1	p. 7		
				122517882/0	3	1	p. 45	322291150/0	1	1	p. 31		
				122517906/1	3	1	p. 37	322393638/0	7	1	p. 7		

code	pos.	q.ty	page				
322393639/0	7	1	p. 7	381005185/0	4	1	p. 13
322393640/0	7	1	p. 7	381005185/0	4	1	p. 15
322393642/0	16	1	p. 7	381005187/0	3	1	p. 9
322393657/0	6	1	p. 45	381005187/0	5	1	p. 13
322393657/0	9	1	p. 43	381005187/0	5	1	p. 15
322393721/0	6	1	p. 45	381006670/2	1	1	p. 13
322393721/0	9	1	p. 43	381006670/2	1	1	p. 15
322394503/0	6	1	p. 3	381006719/0	1	1	p. 9
322394522/0	20	1	p. 3	381006720/0	1	1	p. 9
322399804/1	6	4	p. 11	381006773/1	7	2	p. 13
322399835/0	7	4	p. 9	381006773/1	7	2	p. 15
322399835/0	24	2	p. 13	381006774/1	7	2	p. 13
322399835/0	24	2	p. 15	381006774/1	7	2	p. 15
322486150/1	11	1	p. 41	381006838/0	1	1	p. 19
322486151/1	12	1	p. 41	381006839/0	1	1	p. 19
322486305/0	9	1	p. 45	381006840/0	1	1	p. 21
322486306/0	8	1	p. 45	381006979/2	1	1	p. 17
322488301/0	21	1	p. 13	381007043/0	1	1	p. 11
322488301/0	21	1	p. 15	381007416/2	3	2	p. 25
322488303/0	22	1	p. 13	381007417/2	5	2	p. 25
322488303/0	22	1	p. 15	381007477/0	1	2	p. 27
322500103/0	1	1	p. 7	381007478/1	4	2	p. 25
322500103/0	7	1	p. 31	381007478/1	4	2	p. 27
322545152/0	34	2	p. 3	381007483/1	1	2	p. 25
322545159/0	8	2	p. 43	381007520/0	1	1	p. 21
322545204/0	7	1	p. 19	381007525/0	1	1	p. 19
322551639/0	17	1	p. 15	381007539/0	1	1	p. 9
322551640/0	3	1	p. 17	381008021/2	1	1	p. 37
322600145/0	21	2	p. 3	381008081/2	1	1	p. 39
322600208/0	27	2	p. 3	381008081/2	1	1	p. 41
322600313/0	2	1	p. 5	381008082/2	1	1	p. 39
322680016/0	5	4	p. 9	381008082/2	1	1	p. 41
322680017/0	26	2	p. 13	381008098/1	1	1	p. 39
322680017/0	26	2	p. 15	381008098/1	1	1	p. 41
322785304/1	36	2	p. 3	381008128/0	1	1	p. 41
322806639/0	4	1	p. 5	381008128/0	1	1	p. 43
322806644/0	18	1	p. 13	381008129/0	1	1	p. 45
322806644/0	18	1	p. 15	381008129/0	1	1	p. 45
322820082/0	10	1	p. 7	381103350/0	14	2	p. 9
322820083/0	11	1	p. 7	381302831/0	31	1	p. 3
381002032/0	11	1	p. 3	381486008/0	6	1	p. 39
381002887/1	16	1	p. 3	381486008/0	6	1	p. 41
381003253/0	4	4	p. 9	381486009/0	7	1	p. 45
381003253/0	25	2	p. 13	381486009/0	10	1	p. 43
381003253/0	25	2	p. 15	381486012/0	6	1	p. 39
381003330/0	10	1	p. 17	381486012/0	6	1	p. 41
381003344/0	3	1	p. 13	381486030/0	6	1	p. 41
381003344/0	3	1	p. 15	381486030/0	6	1	p. 39
381003398/0	3	1	p. 3	381486031/0	7	1	p. 41
381003472/0	3	1	p. 13	381486031/0	7	1	p. 45
381003472/0	3	1	p. 15	381486031/0	10	1	p. 43
381004540/0	1	1	p. 3				
381004542/0	1	1	p. 3				
381004590/0	1	1	p. 3				
381004732/0	1	1	p. 3				
381005133/0	2	1	p. 11				
381005135/0	3	1	p. 11				
381005149/0	2	1	p. 9				
381005149/0	4	1	p. 13				
381005149/0	4	1	p. 15				
381005151/0	3	1	p. 9				
381005151/0	5	1	p. 13				
381005151/0	5	1	p. 15				
381005185/0	2	1	p. 9				